



Figures
PROFINET
PROFlenergy
IO-Link

Bernd Lieberth
President RPA-SEA

Figures
PROFINET
PROFenergy
IO-Link

PROFIBUS & PROFINET International (PI)

27 Regional
Associations
(RPA)

43 PI Competence
Center (PICC)

10 PI Test
Laboratories (PITL)

More than 1,400 members world wide

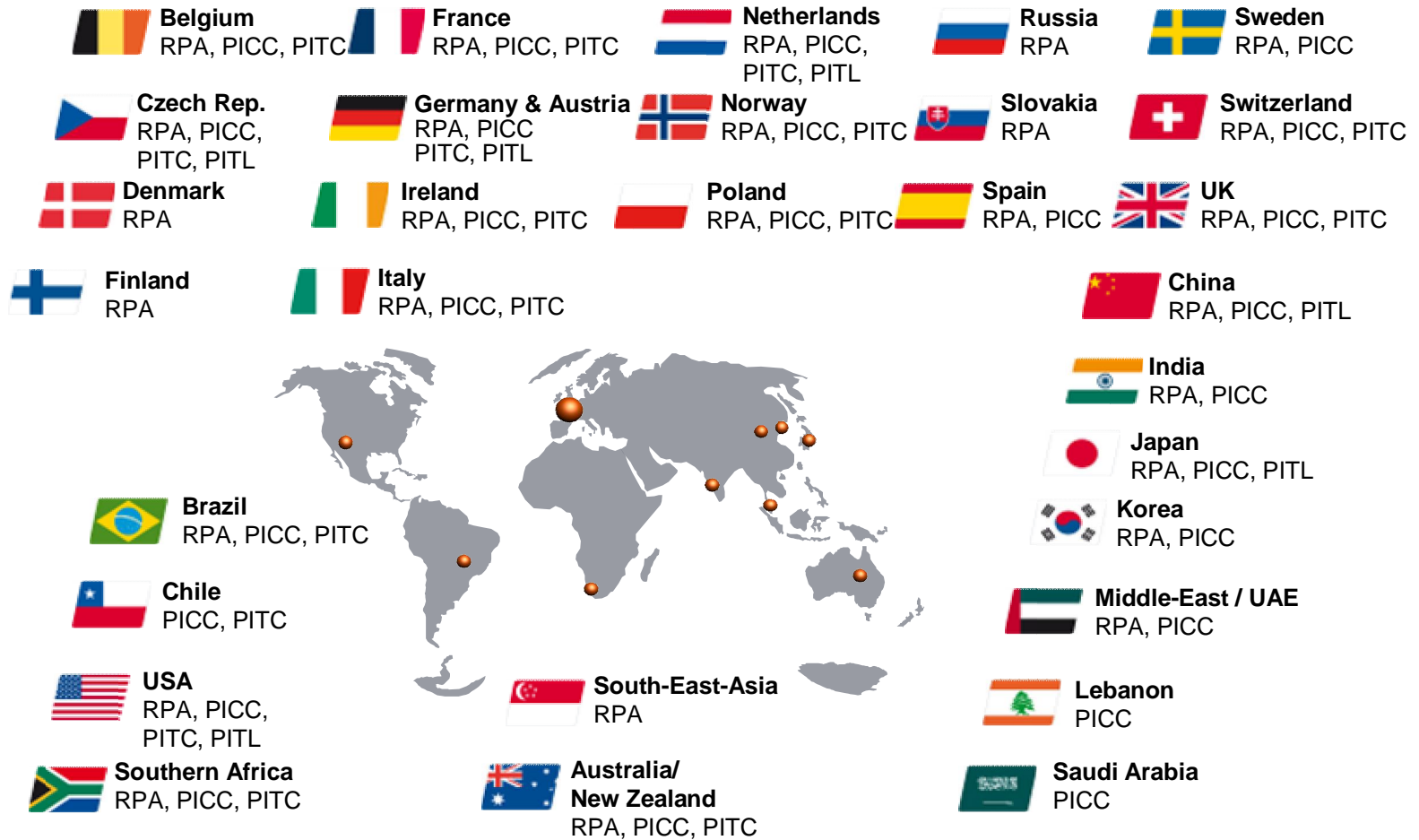
■ The architecture is being devised by

- 12 work groups
- With 140 employees
- from 60 companies



PROFINET – from the world's largest fieldbus organization

PI Worldwide Support



PI worldwide

27 Regional PI Associations (RPA)

PI Technical Support

43 PI Competence Centers (PICC)

23 PI Training Centers (PITC)

10 PI Test Laboratories (PITL)

What means RPA?

Figures
PROFINET
PROFenergy
IO-Link

- **Support** PB/PN vendors and users
- **Provide** access to PB/PN technical documentation
- **Deliver** events focused on PB/PN technologies
- **Develop** Certified Competence & Training centers in the regions
- **Promote** its members
- **Update** the market on products, events & training



New Corporate Design

Figures

PROFINET

PROFenergy

IO-Link



Organization logo
South East Asia



Technology logo



Profile logo

Members of Southeast Asia

Figures
PROFINET
PROFenergy
IO-Link



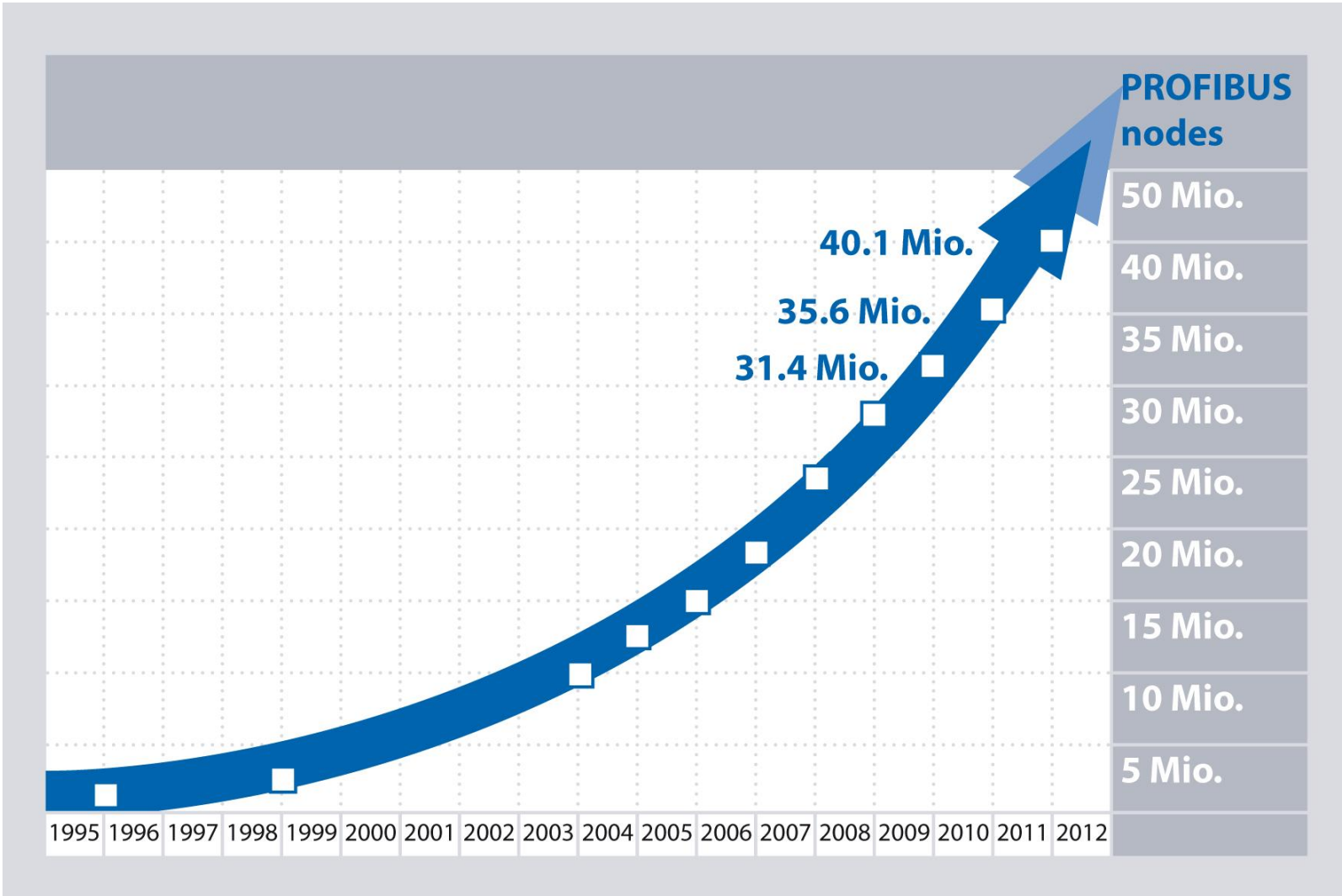
Pushing Performance



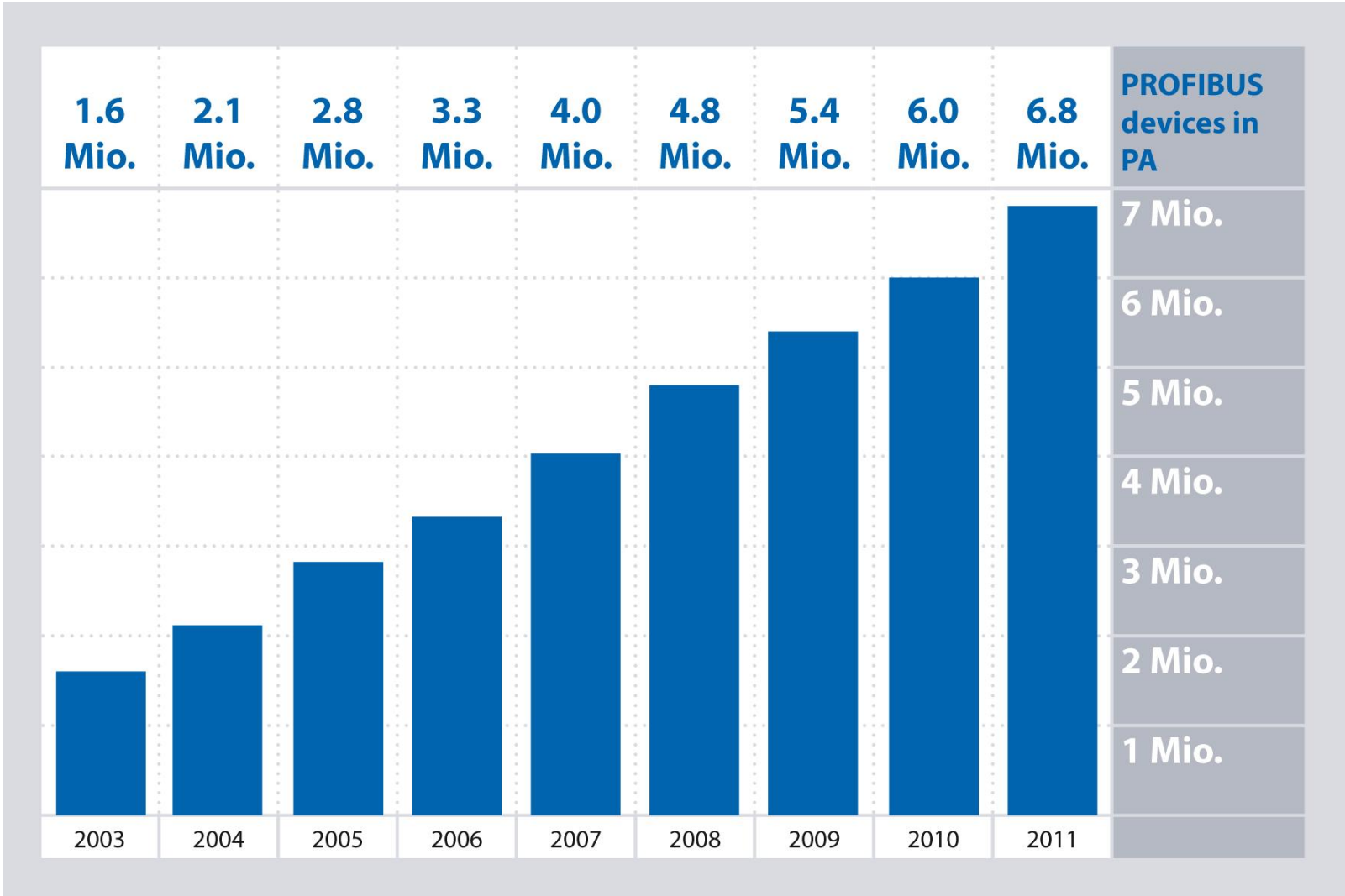


Installed nodes World wide, new counting


PROFIBUS nodes



PROFIBUS nodes




Commitment of the leading fieldbusses



**PROFI[®]
BUS**

More than
40,000,000
installed nodes



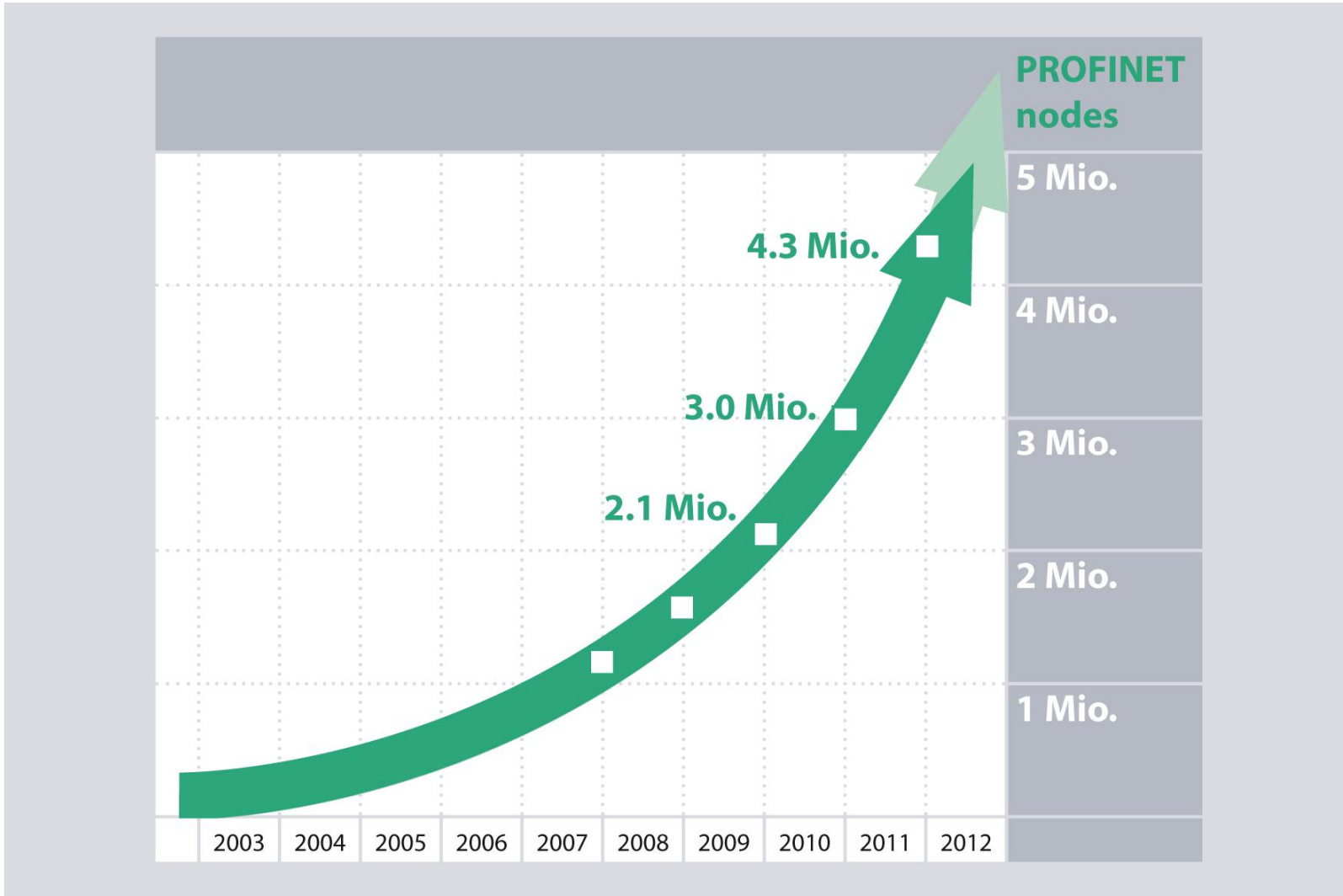
INTERBUS

More than
16,000,000
installed nodes

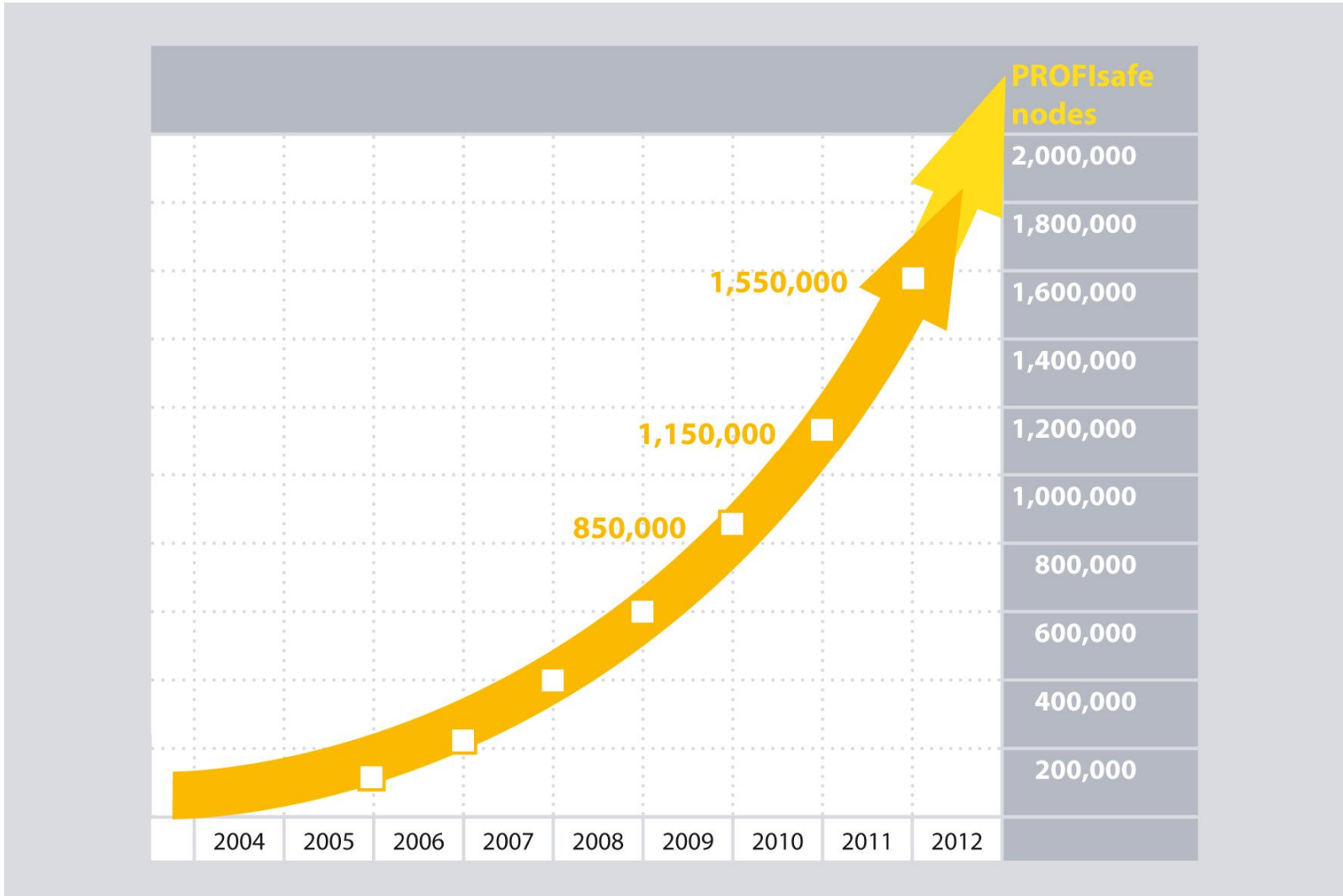


**PROFI[®]
NET**

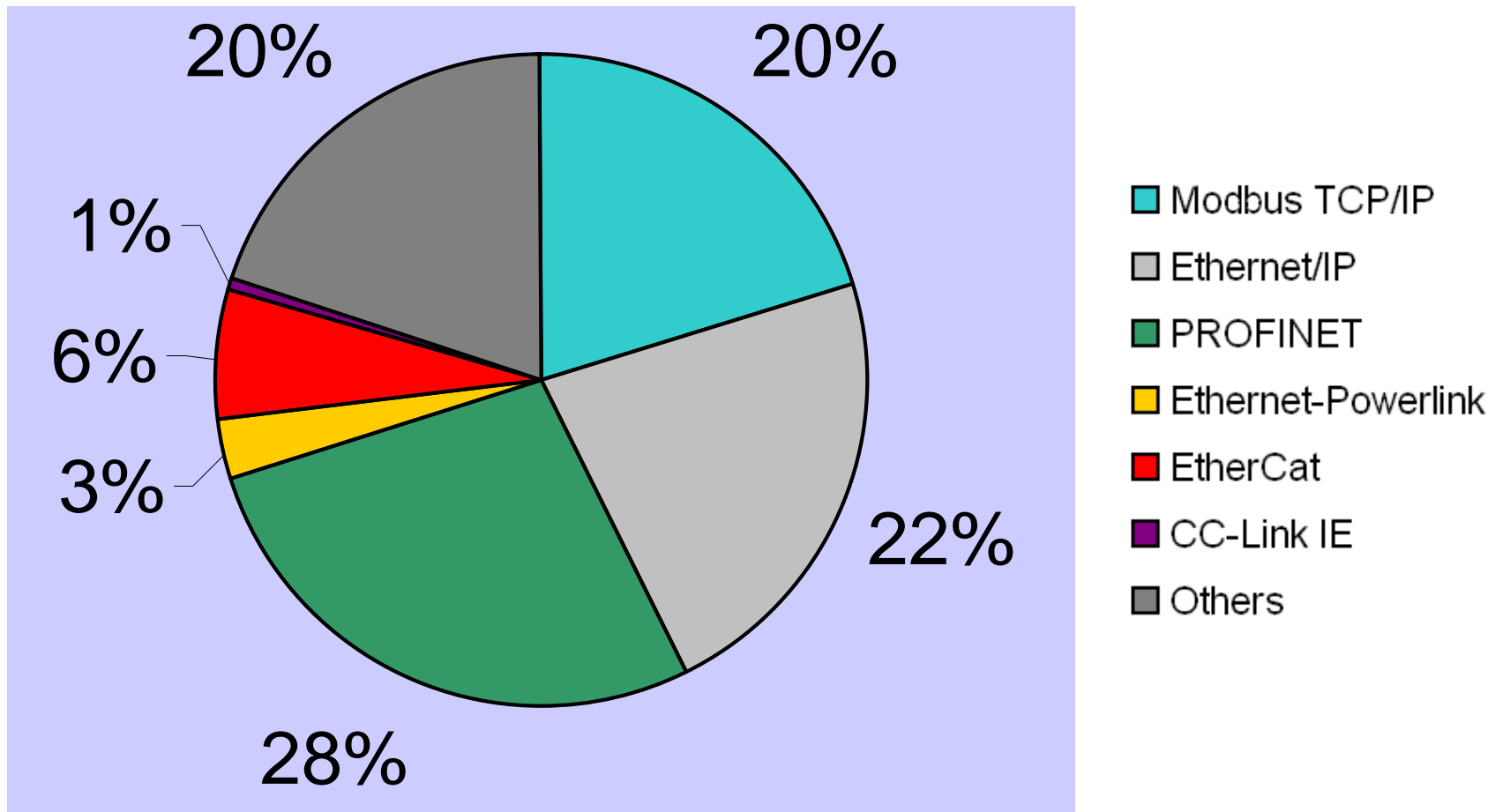
PROFINET nodes



PROFIsafe nodes



Industrial Ethernet by Variant in China (2015)



Successful standardization in Korea

- On December 30, 2011, the Korean Agency for Technology and Standards (KATS) announced both PROFINET and PROFIBUS as Korean standards.
- The standardization comprises PROFIBUS DP, PROFIBUS PA and PROFINET, thus applications for process automation are also covered.
- Korea PROFIBUS Association was founded in 1999 and is with its 44 member companies one of the most active groups in the Asian market.
- PROFIBUS and PROFINET have been among the leading fieldbuses in the Korean automation market for years.



PROFINET on the rise

15

Figures

PROFINET

PROFenergy

IO-Link

2007: Every **15th** device sold with
PI technology (PB/PN) is PROFINET

2008: Every **12th** device sold with
PI technology (PB/PN) is PROFINET

2009: Every **7th** device sold with
PI technology (PB/PN) is PROFINET

2010: More than every **6th** device sold with
PI technology (PB/PN) is PROFINET



**PROFINET ready for Process Automation and increase the Speed
– Specification V2.3 – Released in 2011**

PROFINET – for all applications

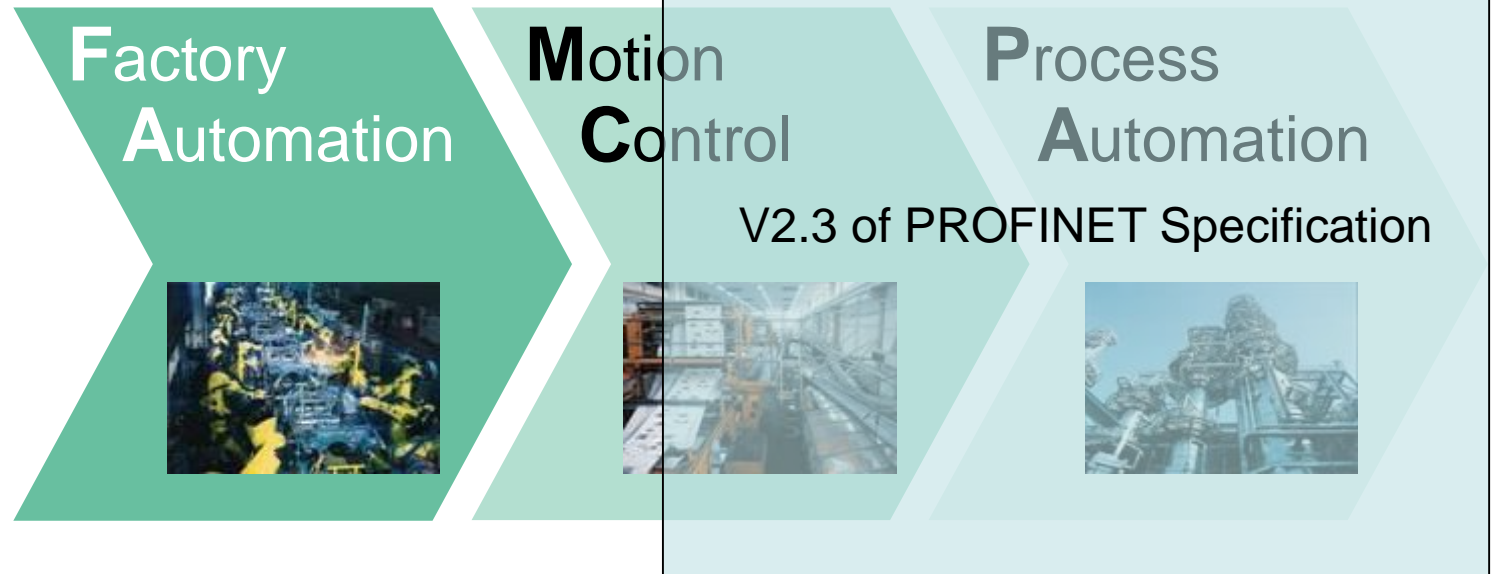
17

Figures

PROFINET

PROFenergy

IO-Link



PROFINET

- Worldwide established in Factory Automation and Motion Control
- Already used in Process Automation for In-/Outbound
- Standardization activities for primary processes finalized

One system for all applications

What does process automation mean?

18

Figures

PROFINET

PROFenergy

IO-Link

- Slow change of process signals
(Cycle times ~ 100ms)
- Systems are running continuously,
24 hours/day and 365 days/year
- Complex actuators and sensors
- Huge quantities with
up to 100,000 I/O signals
- Very long lifecycles of process plants

Enhancements for PROFINET in PA

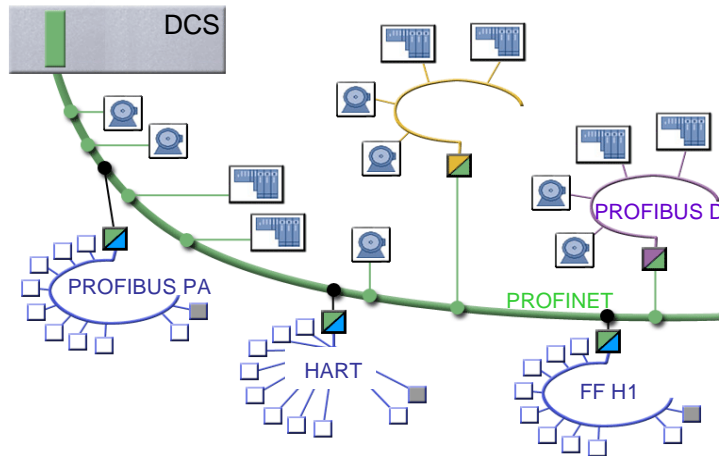
Figures

PROFINET

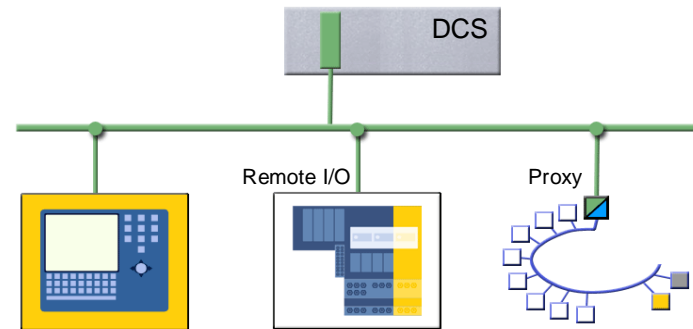
PROFenergy

IO-Link

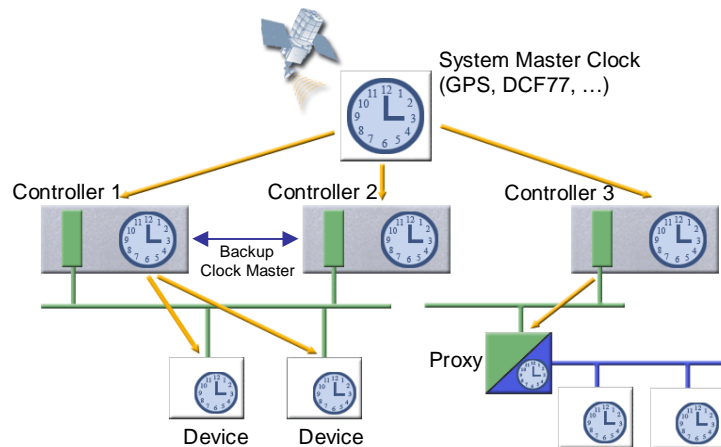
Fieldbus Integration



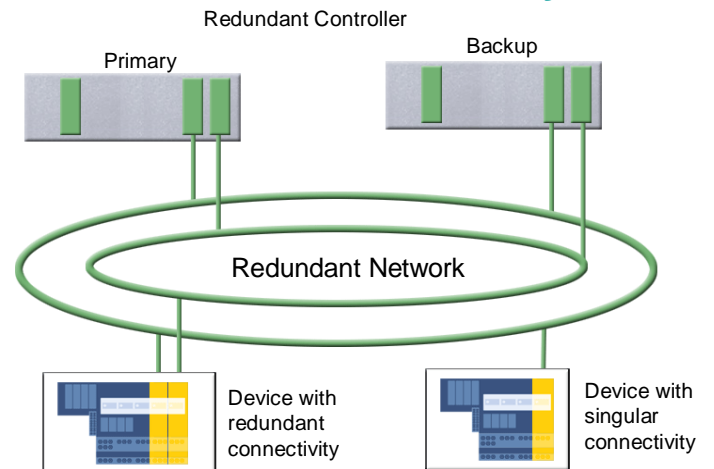
Configuration in Run (CiR)



Time sync / stamping



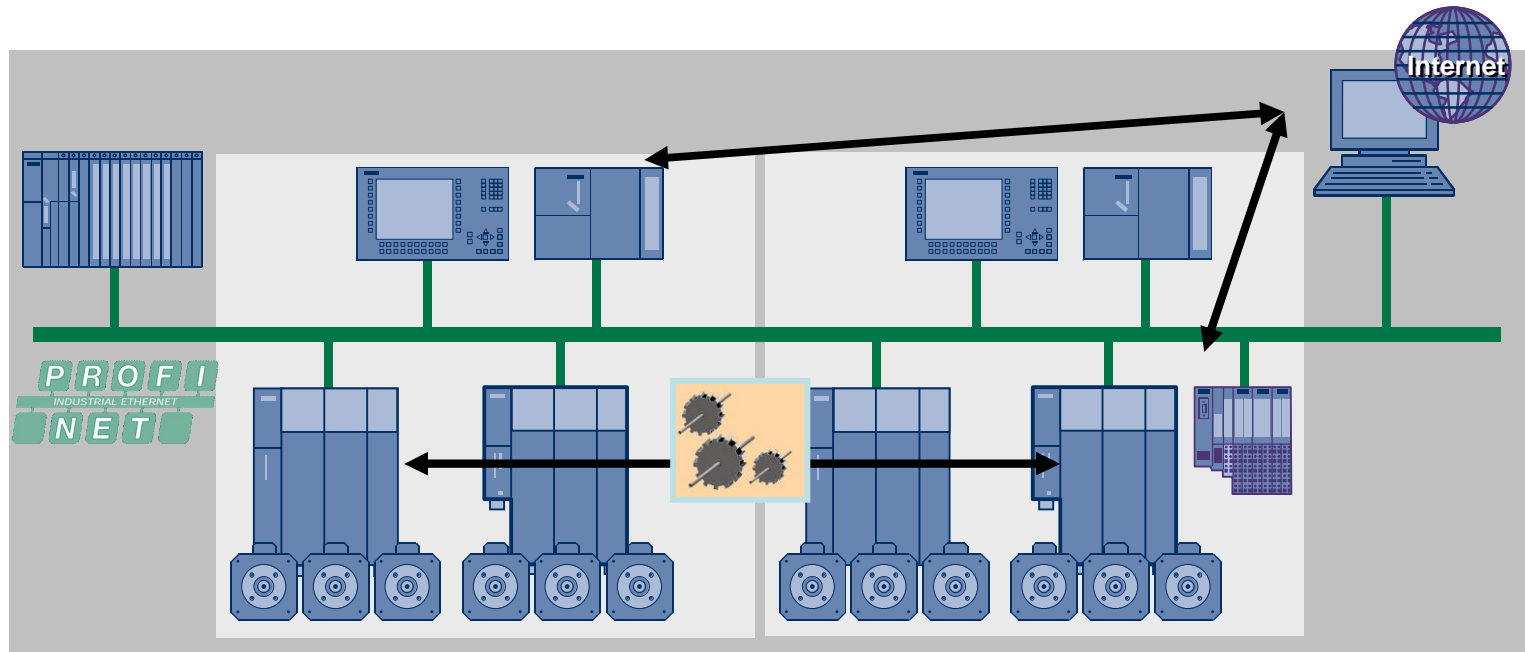
Scalable Redundancy



High Speed Applications with IRT

20

Figures
PROFINET
PROFenergy
IO-Link



- Isochronous Real Time (IRT) communication for Motion Control Applications with PROFIdrive-profile
- With PROFINET Specification V2.3 we can achieve short and deterministic reaction time: up to 31.25µs, Jitter < 1µs
- Integration of distributed field devices
- TCP/IP for engineering, diagnosis and HMI-connection



PROFINET enables the simultaneous realization of Real-Time and IT-communications on one cable

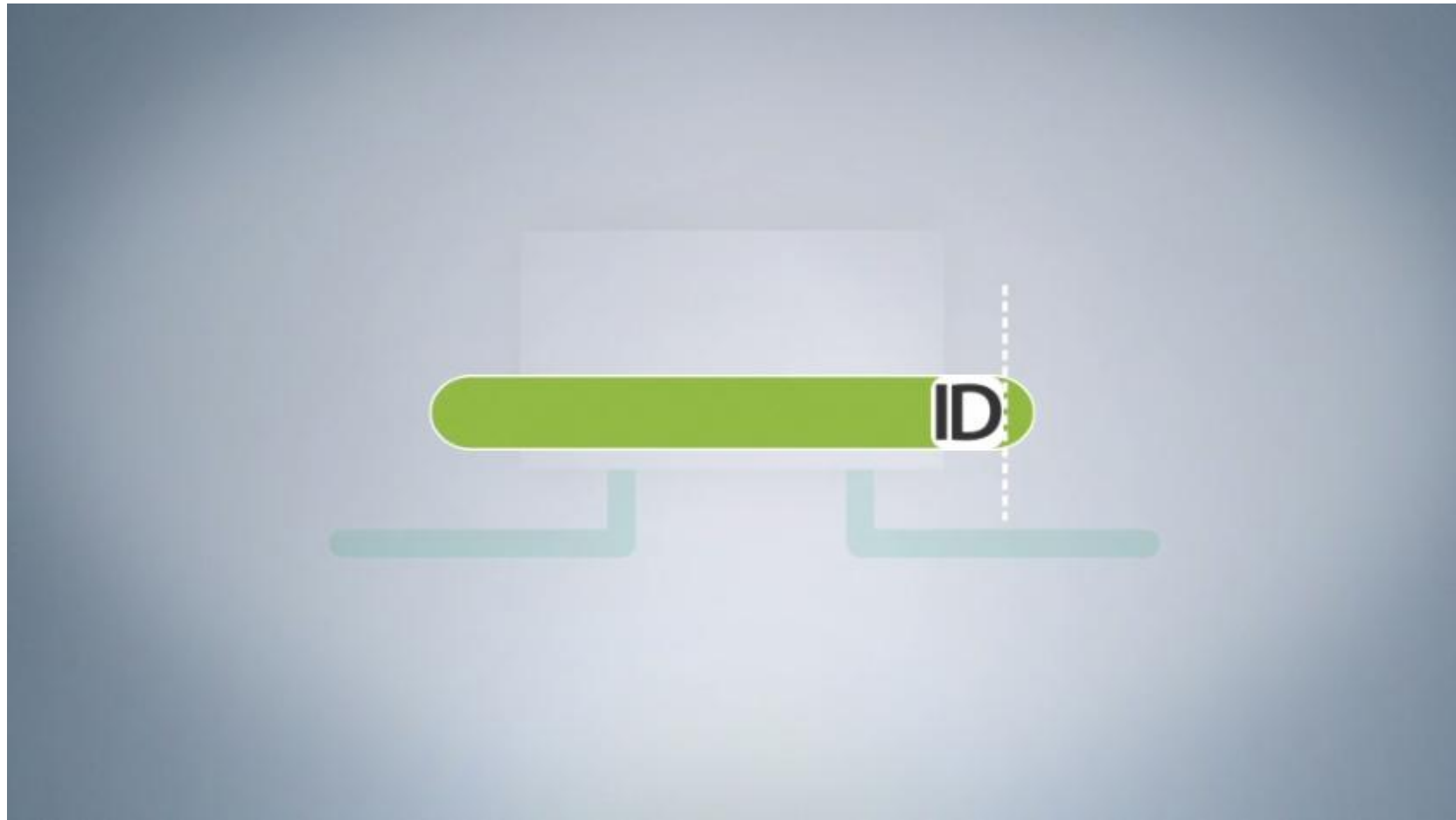
Contents of specification V2.3

- **Performance Upgrade**
 - Fast Forwarding
 - Dynamic Frame Packing
 - Fragmentation
- **PROFINET for Process Automation**
 - Basics
- **Shock-free** media redundancy MRPD
- **Enhancements for fibre optics**

Implementation in new technology solutions

Integration in new field devices

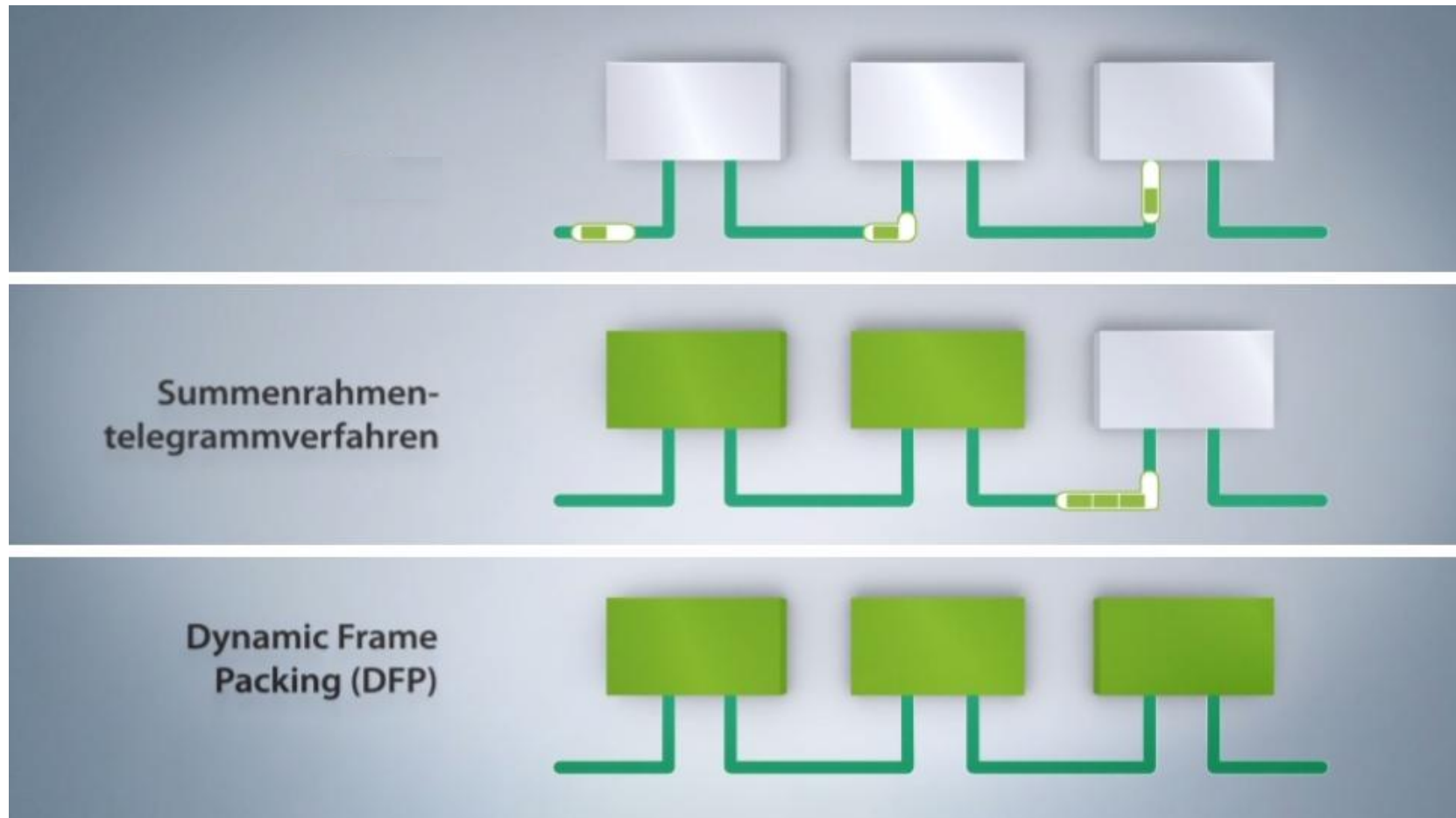
Enhancement of the PROFINET function scope



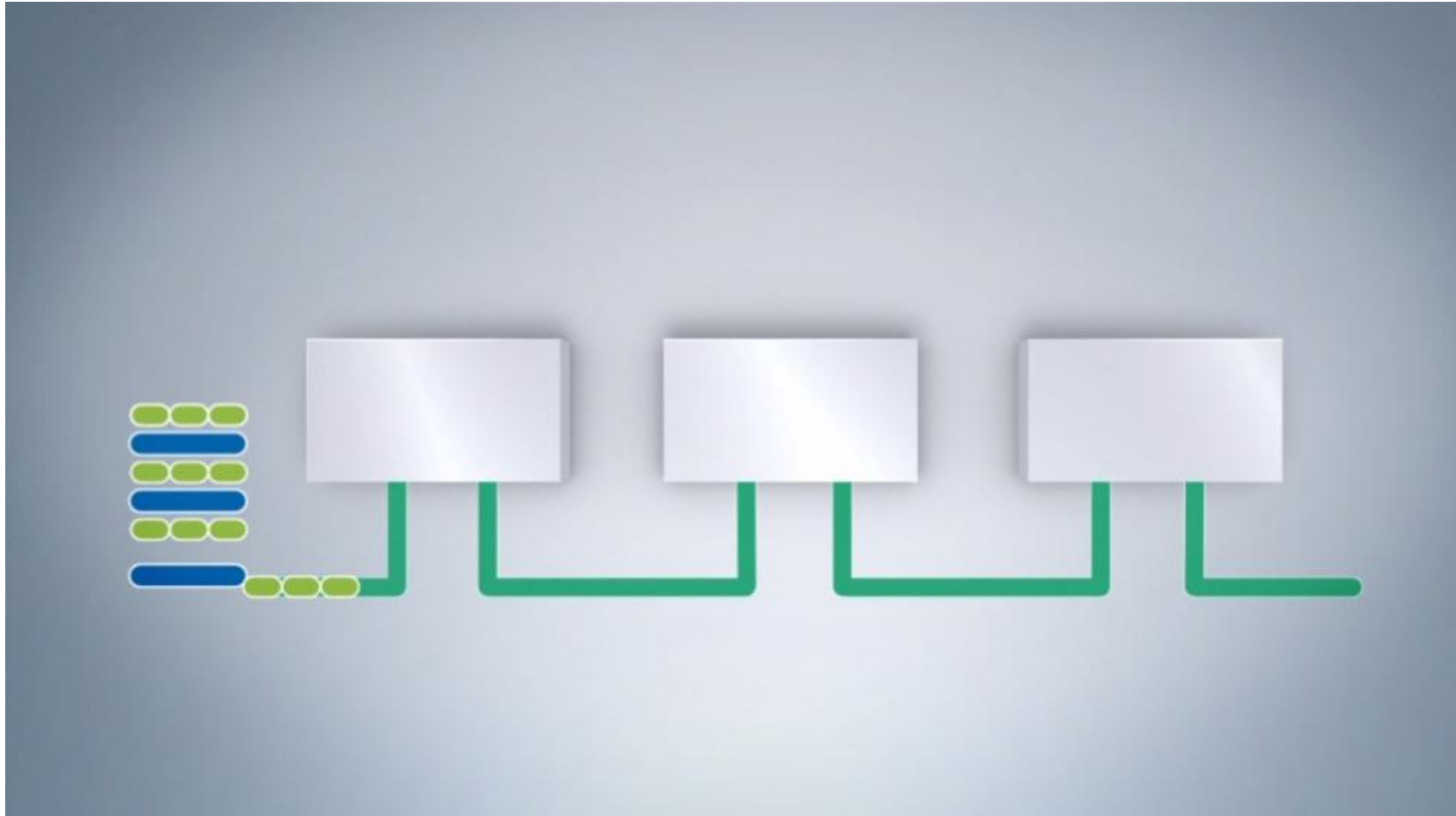
- Fast Forwarding reduces the through put time in Switches
- Especially in longer line structures you will have th benefit of Fast Forwarding

Dynamic Frame Packing (DFP)

23



- Dynamic Frame Packing reduces the overhead in short IO-userpackages
- Extremely efficient bandwidth utilization and increased performance



- With Fragmentation extremely short cycle times of 31.25 μ s can be realized
- Time uncritical TCP/IP Frames will be split in short packages and does not influence the PROFINET communication

PN products from more than 100 vendors

25



PN products from more than 100 vendors



Figures

PROFINET

PROFenergy

IO-Link

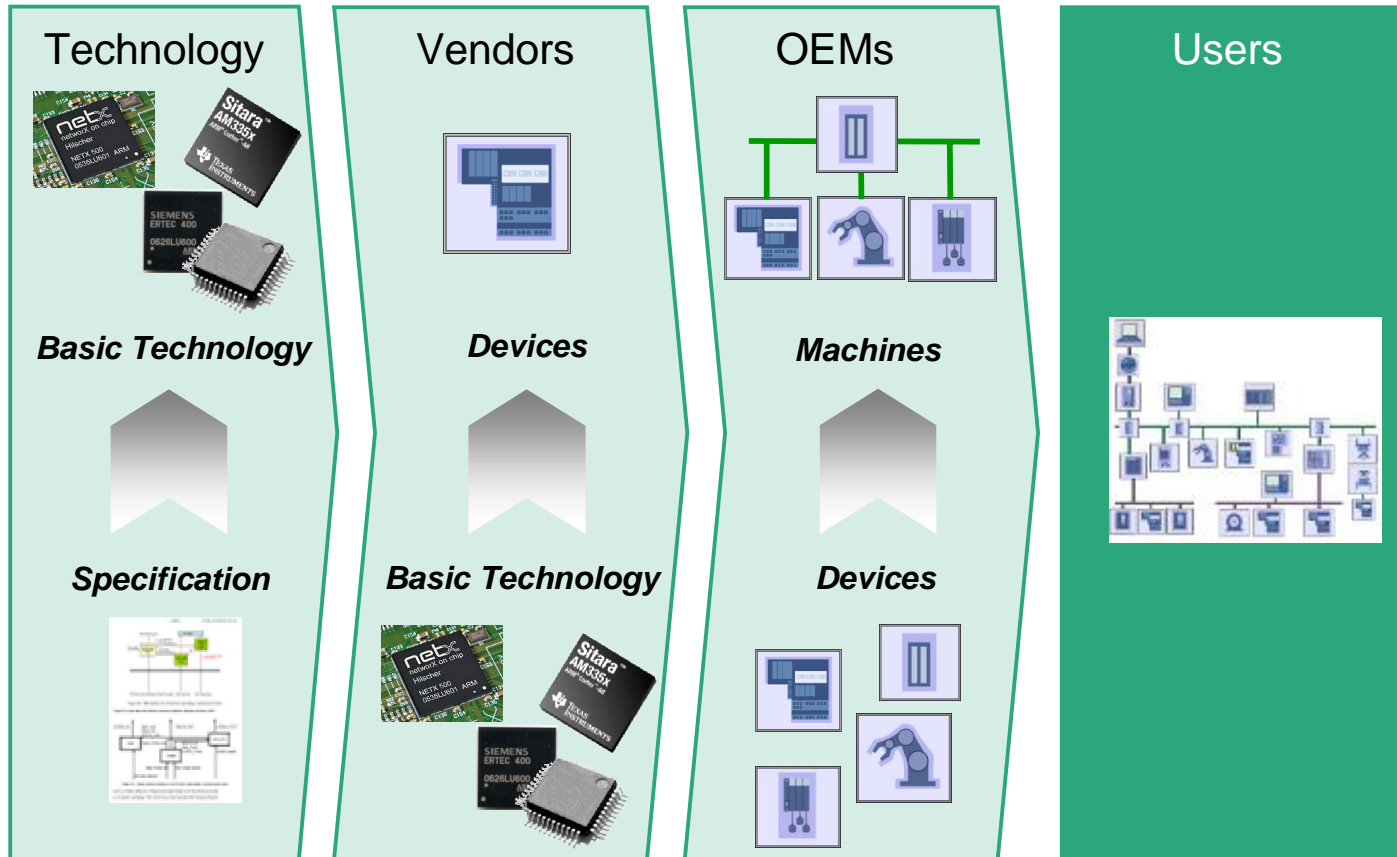
Users

- 100 % investment protection (seamless complement for PROFIBUS)
- Cost reduction by ONE plantwide communication system
- Network management / diagnosis with standard Ethernet-Tools
- Higher performance for high speed applications
- Larger quantities
- New scalable and highly available architectures

Vendors

- Focus on ONE plantwide communication system
- Flexibility in device development (enhancements optional)

The simple way to PROFINET



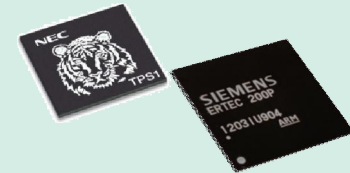
All basic technologies are available

29

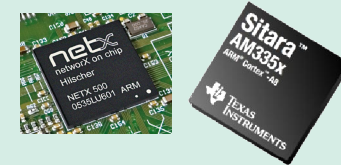
Software stack
for different operating systems



ASICs
for an optimum integration



Standard Network Controller
for a fast and simple integration



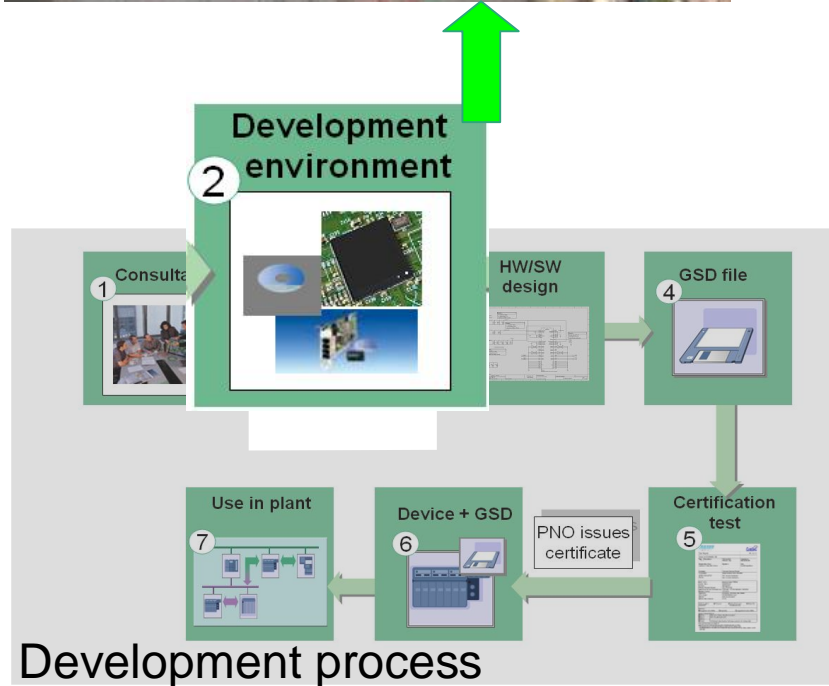
PC Boards
for the implementation on a PC








Modules & Boards
completely executable hardware for end devices



Device Integration – Basic technology development



- Software stack**
for different operating systems 
- ASICs**
for an optimum integration 
- Standard Network Controller**
for a fast and simple integration 
- PC Boards**
for the implementation on a PC 
- Modules & Boards**
completely executable hardware for end devices 

Proven and new Integration



15 Technology supplier

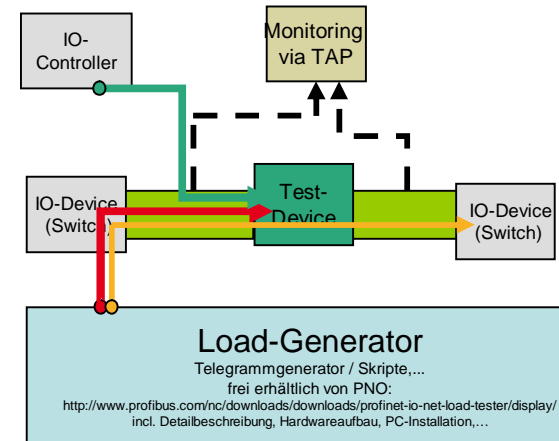
- Net load: different scenarios
 - telegram types
 - telegram length
 - repetition
 - quantity / time

- Definition of Tests: Guideline / Tester
 - uniform
 - repeatable
 - simple test



Kind of target network load	Protocol	Sub-Protocol	Normal Operation	Limited Communication	Faulty Communication
Unloaded network test	All	All	< 30% @ 1 ms	< 30% @ 1 ms	≥ 30% @ 1 ms
	Filtered in Step 1	All	< 30% @ 1 ms	< 30% @ 1 ms	≥ 30% @ 1 ms
Filtered in Step 2	Filter in Step 2	...	< 30% @ 1 ms	< 30% @ 1 ms	≥ 30% @ 1 ms
	All	All	< 30% @ 1 ms	< 30% @ 1 ms	≥ 30% @ 1 ms
	LLDP	...	< 30% @ 1 ms	< 30% @ 1 ms	≥ 30% @ 1 ms
	LLDP	...	< 30% @ 1 ms	< 30% @ 1 ms	≥ 30% @ 1 ms
	LLDP	...	< 30% @ 1 ms	< 30% @ 1 ms	≥ 30% @ 1 ms
	ICMP	...	< 30% @ 1 ms	< 30% @ 1 ms	≥ 30% @ 1 ms
	TCP	...	< 30% @ 1 ms	< 30% @ 1 ms	≥ 30% @ 1 ms
	UDP	...	< 30% @ 1 ms	< 30% @ 1 ms	≥ 30% @ 1 ms
	RT	...	< 30% @ 1 ms	< 30% @ 1 ms	≥ 30% @ 1 ms
	All others	...	< 30% @ 1 ms	< 30% @ 1 ms	≥ 30% @ 1 ms
Filtered/PROFINET network load	RT	...	< 30% @ 1 ms	< 30% @ 1 ms	≥ 30% @ 1 ms
	RT	...	< 30% @ 1 ms	< 30% @ 1 ms	≥ 30% @ 1 ms
	PROFINET	...	< 30% @ 1 ms	< 30% @ 1 ms	≥ 30% @ 1 ms
	PROFINET	...	< 30% @ 1 ms	< 30% @ 1 ms	≥ 30% @ 1 ms
	PROFINET	...	< 30% @ 1 ms	< 30% @ 1 ms	≥ 30% @ 1 ms
	ICMP	...	< 30% @ 1 ms	< 30% @ 1 ms	≥ 30% @ 1 ms
	TCP	...	< 30% @ 1 ms	< 30% @ 1 ms	≥ 30% @ 1 ms
	UDP	...	< 30% @ 1 ms	< 30% @ 1 ms	≥ 30% @ 1 ms
	SNMP	...	< 30% @ 1 ms	< 30% @ 1 ms	≥ 30% @ 1 ms
	Other	...	< 30% @ 1 ms	< 30% @ 1 ms	≥ 30% @ 1 ms

- Mandatory Test in 2013!
- Further development according definitions of the security Working Group



Ensuring the highest quality to serve the market with the best in class products! This certification tests are unique!

Figures

PROFINET

PROFenergy

IO-Link

PROFINET Tester

- <http://www.profibus.com/nc/downloads/downloads/profinet-io-tester/display/>
- can be used for preparing certification

GSD Checker

- <http://www.profibus.com/nc/downloads/downloads/profinet-xml-viewer-v22/display/>
- verifies if a GSD complies with the specification

Wireshark

- <http://www.profibus.com/nc/downloads/downloads/ethereal-wireshark/display/>
- well-known network protocol analyzer
- easy readout of PROFINET telegrams

**Free downloads on PI website
to support the efficient development
of PROFINET interfaces**

PROFINET is fast ...



... and has even more ...

■ **PROFIdrive** – for the drive of the plant

■ **PROFIsafe** – for the safety of the plant

And – last but not least:

■ **PROFInergy** – for the energy saving of the plant



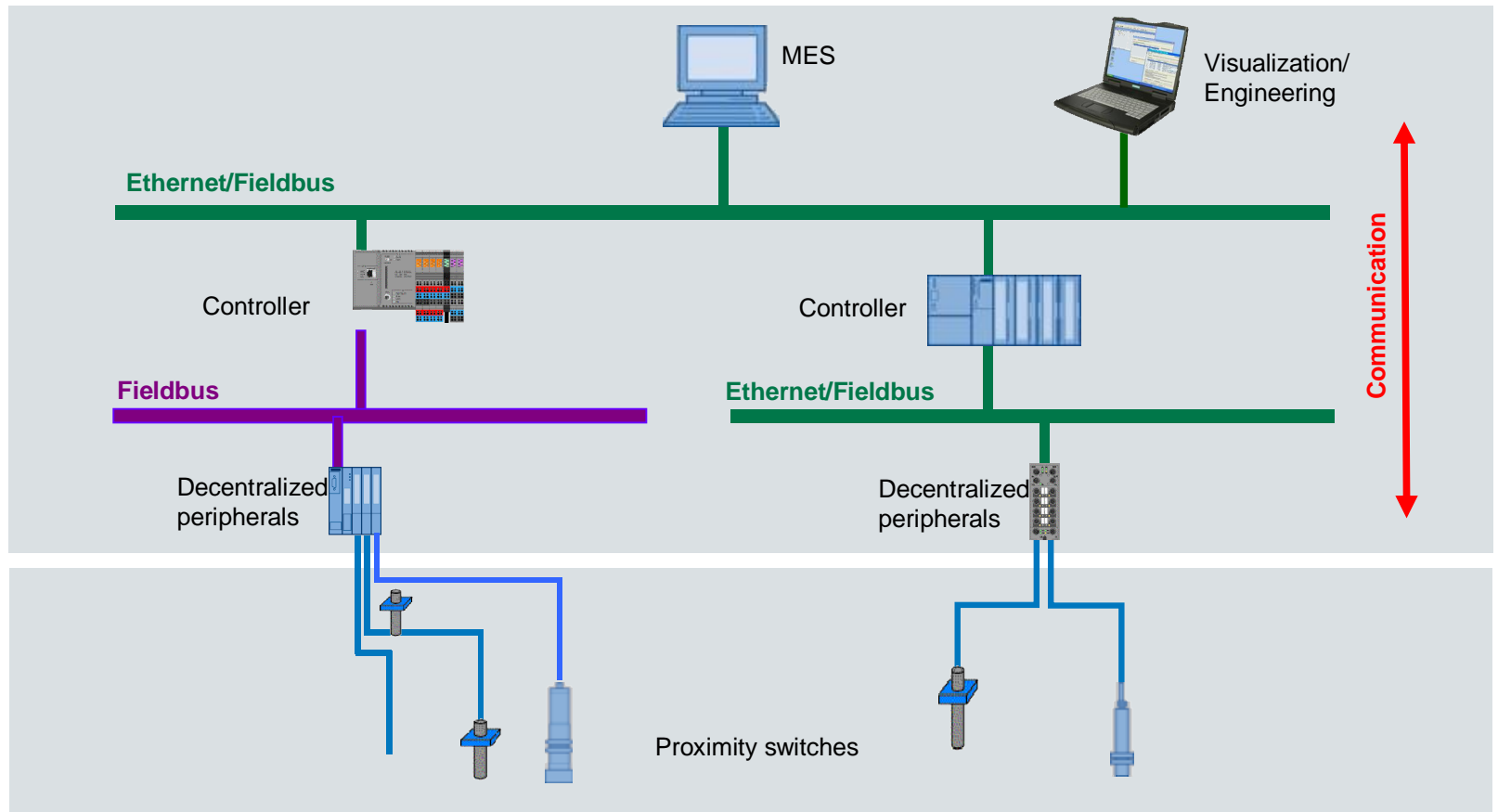
... and everything is vendor-neutral!

↙ **IO-Link goes IEC**



Current automation structure

- Figures
- PROFINET
- PROFenergy
- IO-Link

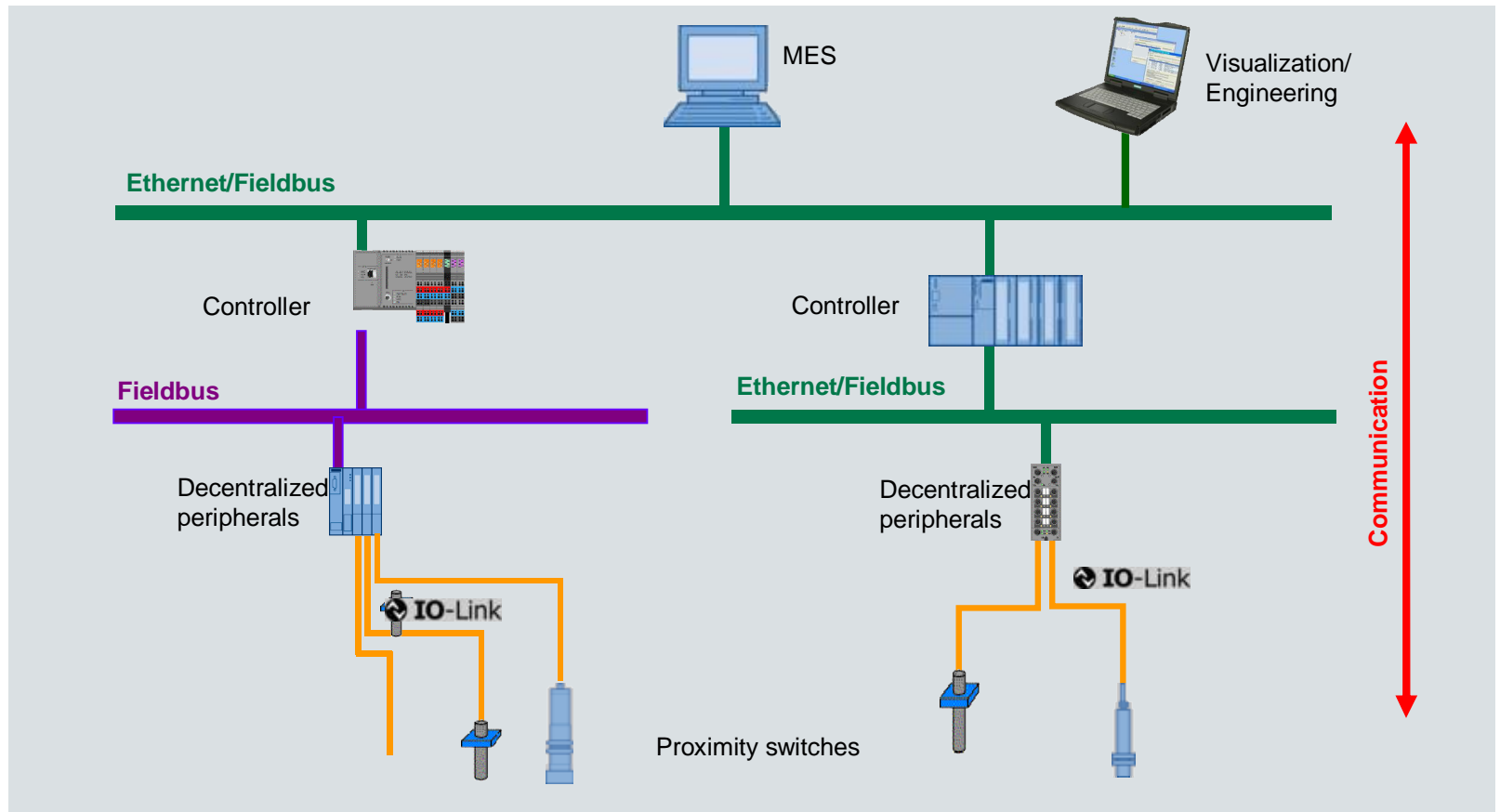


Existing network topologies only reach the I/O level

Future automation structure

36

Figures
PROFINET
PROFenergy
IO-Link



With IO-Link, the ability to communicate extends over the entire automation environment

Figures

PROFINET

PROFenergy

IO-Link

■ IEC Standardization

- IO-Link standardization application accepted within IEC by vote
- Publication as IEC 61131-9 (Comittee Draft)



■ Specification supplemented upwards compatible, now V1.1

- Optimization of performance for large data quantities
- Saving of device parameters for easy device swapping without tool
- Improved diagnosis



New Website

Entry to the Web side

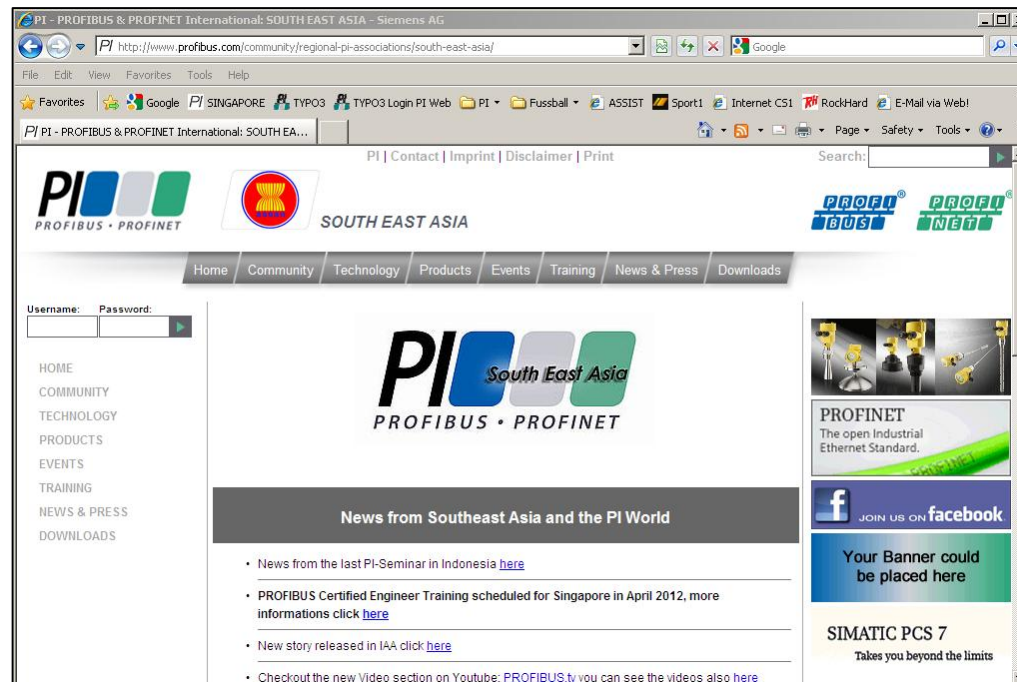
39

Figures
PROFINET
PROFenergy
IO-Link

www.sea.profibus.com

www.sea.profinet.com

SEA = South East Asia



Download all slides!!!



SOUTH EAST ASIA

PI | Contact | Imprint | Disclaimer | Print

Search:



Home Community Technology Products Events Training News & Press Downloads

This is your current status:
bernd.lieberth



Newest downloads	
2011 - Seminars in Vietnam (Local Downloads)	23/03/2011
	01/2011
	02/2010

HOME
COMMUN
TECHNO
PRODUC
EVENTS

TRAINING
NEWS & PRESS
DOWNLOADS

LOCAL DOWNLOADS
PI DOWNLOADS

www.sea.profinet.com
www.sea.profibus.com

In this section you'll find several sets of downloadable files, ranging from simple forms to join PI to executables to help you engineer and commission PROFIBUS and PROFINET devices. Much of it is free, although to get some files you'll need to join PI to gain access. The 'key' icon tells you which file needs a password.

[Back to download list](#)

2011 - Seminars in Vietnam

Description:

You are welcome to download the Slides from the PROFIBUS/PROFINET Seminar!

Files:

	27/12/2010	01_PI_News_-_PH_01.pdf	3527.05 kb
--	------------	------------------------	------------



Your Banner could be placed here

[Subscribe to our newsletter](#)

Automating Processes

BOTH process and discrete manufacturing enterprises have to stay competitive in today's global marketplace. That means automating as many production processes as possible, and effectively linking them to IT management systems – so that timely and useful data reaches the right places quickly, allowing managers to make the decisions that lead to 'results'.

Since 1989, PI (Profibus & Profinet International) has been supporting that vision with the automation technology.

Mission: To deliver maximum business advantage.

The twin networking protocols Profibus and Profinet are technologies that are designed to support demanding manufacturing environments and deliver business benefits.

Profibus is a RS485 based communication standard and Profinet is an industrial ethernet based communication standard.

Besides these standards PI also has profiles which are running on these two protocols. These profiles include: Profisafe, Profidrive and ProfEnergy.

The PI logo has three colors:



- Blue represents Profibus
- Green represents Profinet
- Grey represents the profiles which are running in the Profibus/Profinet standards, such as Profisafe and Profdrive.



Profibus is based on modularity and standards; the benefits are flexibility and ease of use. The use of a single communication protocol enables continuous,



Profinet satisfies a wide range of requirements with its integrated, Ethernet-based communication, ranging from data-intensive parameter assignment up to fast I/O signal

A FIREWORKS Publication

www.AsiaAutomate.com

Automate INDONESIA

Indonesia's Only Automation & Electrical Magazine!

Vol. 5 No.4 Oct - Dec 2011

Rp 20.000,- / US\$ 5.00

Bilingual Magazine
English & Bahasa Indonesia

Work With A smile With Robots

Automation In Automotive

Greener Automation For A Better Tomorrow

Energy Efficiency

Exclusive "In The Hot Seat"

Product Review With Daihatsu On Mun-Hean

The 2nd Edition of



11 - 13 April 2012

Jl EXPO, Kemayoran, Jakarta - Indonesia

www.electrindo.com / www.autotekindo.com

Still Indonesia's #1 Electrical and Automation Showcase !

IFA and TÜV. It has also become an international standard (IEC 61784-3-3).



Standard and safety-related

when replacing existing relay technology and when retrofitting existing installations. The use of certified devices simplifies system acceptance.

ProfEnergy uses existing Profinet mechanisms, which ensure fast and simple implementation. The former's commands can be transferred throughout the latter Network, enabling individual field devices or whole production cells to participate in smart energy management strategies.



is easy and trouble free. Users can satisfy their requirements for energy management in a targeted manner, with multi-

EVENT REVIEW

Profibus Seminar in KL

Lots to see, hear and learn when this year's regional Profibus roadshow rolled into Kuala Lumpur, Malaysia, to give some 80 participants the update on the increasing functionality and scope of the industrial communications technology.



Bernid Lieberth, secretary of the Profibus Association South East Asia, revealing that the installed base of Profibus devices now exceeds 35 million.



Explaining how application profiles fit into the Profibus architecture.



The 'Profinet for PA' application profile included in Version 2.3 means that Profinet can meet the needs of process automation.



Siemens safety expert Stanley Joseph detailing how safety fieldbus via Profisafe provides distinct advantages over conventional solutions.



Seminar concepts reinforced by practical demonstrations of Profibus and Profinet technology.



Lucky draw winner takes home a copy of 'Milestones: Profibus – 20 Years of Standards for Industrial Communication'.

Infos of all the technology

42

PI http://www.profibus.com/index.php?id=3591

iew Favorites Tools Help

Google PI SINGAPORE TYPO3 Login PI Web Sport1 Rock Hard Hammer-Mag.de Internet C51 SIMATIC Vertriebsfolien E-Mail via Web! SCD V2 Bilddatenbank

Web [TYPO3 4.2.6] PI - PROFIBUS & PROFIN... x

Search:



SOUTH EAST ASIA



- Home
- Community
- Technology
- Products
- Events
- Training
- News & Press
- Downloads

This is your current status:

bernd.lieberth

HOME

COMMUNITY

TECHNOLOGY

- ▼ PROFINET
- ▼ PROFIBUS
- ▼ FUNCTIONAL SAFETY
- ▼ MOTION CONTROL
- ▼ ENERGY EFFICIENCY
- ▼ APPLICATION PROFILES
- ▼ DEVICE INTEGRATION
- ▼ WIRELESS
- IO-LINK
- GLOSSARY



PI's industrial networking solutions are based on two technologies: PROFIBUS and PROFINET.

First developed in 1989 and celebrating its 20th anniversary in 2009, PROFIBUS has become the world's most successful fieldbus with nearly 30,000,000 installed nodes and global support.

PROFINET, a more powerful and broader offering than PROFIBUS is based on an enhanced version of the Ethernet used in offices, and is therefore a future-oriented network

Thousands of engineers use it...
PROCENTEC

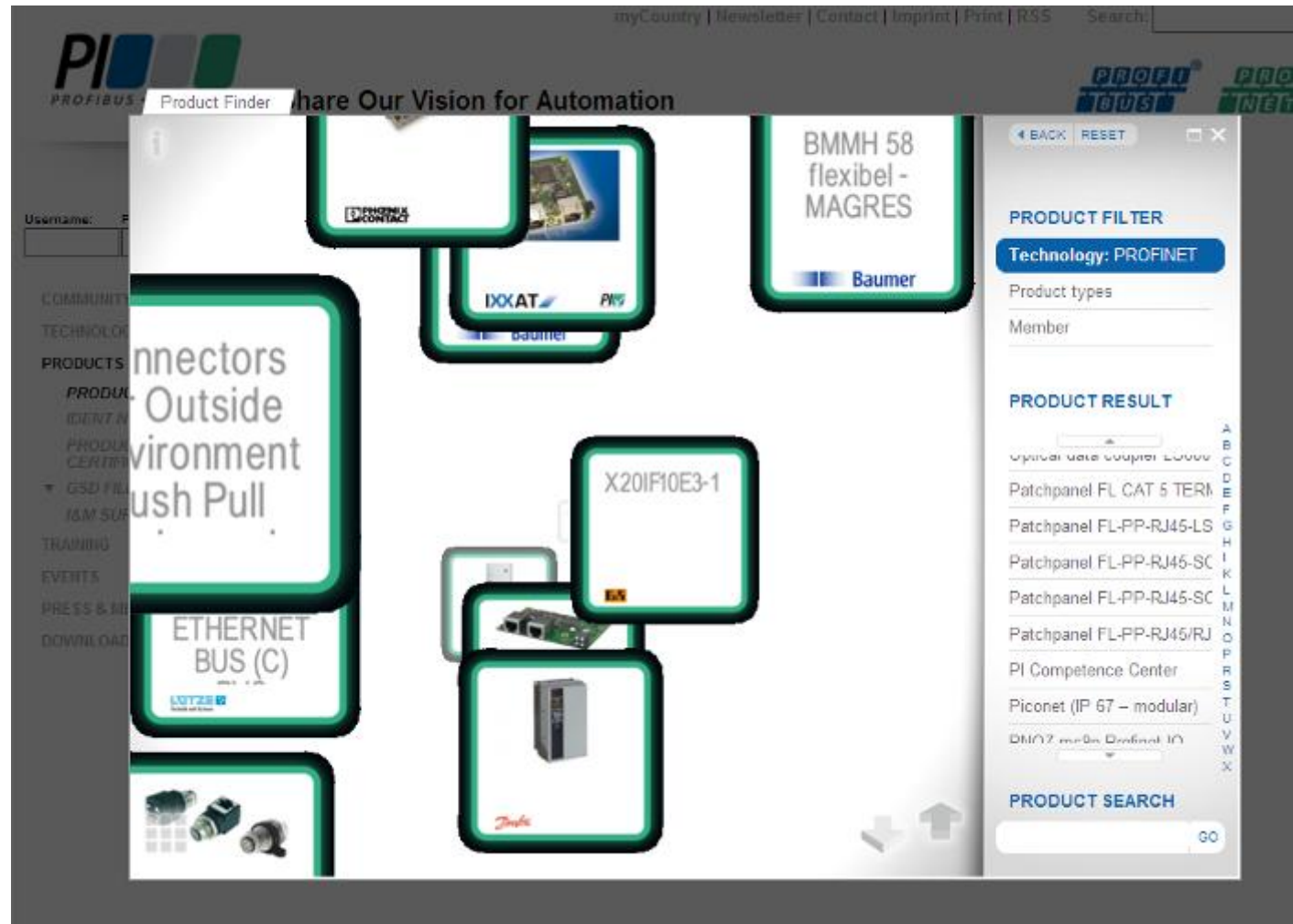
... and profit now.

Your Banner could

PI Product Finder

43

- New interface
 - look&feel
 - interaction
 - → many devices/vendors
- Simple to integrate new devices



<http://www.profibus.com/products/product-finder/>

Follow us on Facebook

Figures
PROFINET
PROFenergy
IO-Link

facebook Suche

Profibus/Profinet South East Asia
Webseite · Singapur · Info bearbeiten

Info Bearbeiten
With over 35 Mio installed nodes on PROFIBUS and over 3 Mio nodes on PROFINET...
Mehr

128 gefällt das

Von den Favoriten meiner Seite entfernen
Aktualisierungen via RSS erhalten
Gefällt mir nicht mehr
Teilen

Pinwand Profibus/Profinet South E... · Alle (Neueste Beiträge) ▾

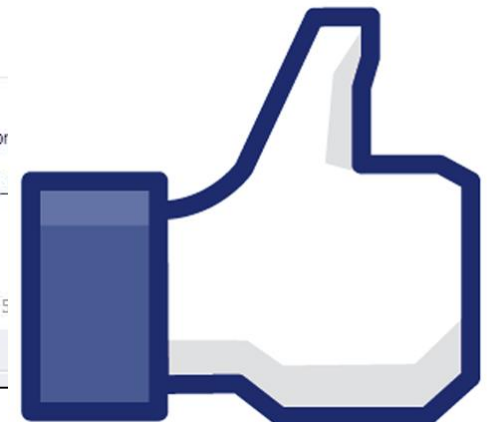
Teilen: Status Foto Link Video Frage

Schreib etwas ...

Profibus/Profinet South East Asia
One more day to the Seminar in Surabaya, still time to register under
Übersetzung anzeigen

PI - PROFIBUS & PROFINET International: SOUTH EAST ASIA
www.profibus.com
PROFIBUSThe world's most popular fieldbus has more than 35 million installed devices, making it the most successful fieldbus in history. Its coverage of automation domains across factory, discrete and process applications makes it ideal for use in all industries.
Gefällt mir · Kommentieren · Teilen · vor 9 Minuten ·

Profibus/Profinet South East Asia
Check out the latest news from Southeast Asia and the PI wor
[http://www.profibus.com/uploads/media/pxddamkey\[12536\]_ember_2011.pdf](http://www.profibus.com/uploads/media/pxddamkey[12536]_ember_2011.pdf)
Übersetzung anzeigen
45 erreichte Personen · 2 Personen sprechen darüber
Gefällt mir · Kommentieren · Teilen · 19. November um 11:5
Knut Profisafe gefällt das.



Channel on Youtube

45

Figures
PROFINET
PROFenergy
IO-Link

■ <http://www.youtube.com/user/ProfiTelevision>

The screenshot displays the YouTube channel page for 'ProfiTelevision'. At the top, the YouTube logo and search bar are visible. The channel name 'ProfiTelevision's Channel' is shown with a 'Subscribe' button. Below the channel name, there are tabs for 'All', 'Uploads', and 'Favorites'. The main content area features a large logo for 'PI PROFIBUS • PROFINET'. Below the logo is a video player showing a video titled 'PROFenergy wins the car racing'. The video player includes a progress bar, volume control, and a '360p' resolution indicator. Below the video player, there are options for 'Info', 'Favorite', 'Share', and 'Flag'. The video description reads: 'From: ProfiTelevision | Nov 17, 2011 | 32 views' and 'PROFenergy first in energy saving'. To the right of the video player, there is a list of uploads, including 'PROFenergy wins the car racing' (32 views - 2 weeks ago), 'PROFenergy gewinnt immer' (24 views - 2 weeks ago), and 'PROFI-TV: PROFdrive on Hanover Fair 2011' (1,633 views - 3 months ago). There are also links for 'see all' under the uploads and 'Favorites (0) see all'.

Example “Minute of PROFINET”

Figures
PROFINET
PROFIenergy
IO-Link

Internet

■ www.sea.profinet.com

Flyer

- PROFINET Flyer
- PROFINET System description
- PROFINET Technology brochure



Guidelines

- Design
- Cabling and Assembly
- Commissioning



Support

- Training Programs (Certified PROFINET Engineer/Installer)

Thank you for your attention!

47



PROFIBUS/PROFINET Association South East Asia
Bernd Lieberth (President)
1, Scotts road, #21-07, Shaw Centre
Singapore-228208

E-Mail: southeastasia@profibus.com

Join us at 